


REV	DATE	BY	CHANGE
A	12/14/2011	BBT	Initial release
A1	02/02/2012	BBT	Added one more button. Fixed reset and power button issues. Added a pull up to WP of EEPROM
A2	04/30/2012	BBT	1. LCD_AVDD_EN Signal is moved from J2-42 (GPIO0_7) to J1-20 (GPIO1_31)
A3	06/21/2012	BBT	1. GPIO0_3 is used for ENETR button 2. LCD_AVDD_EN moved to GPIO0_2

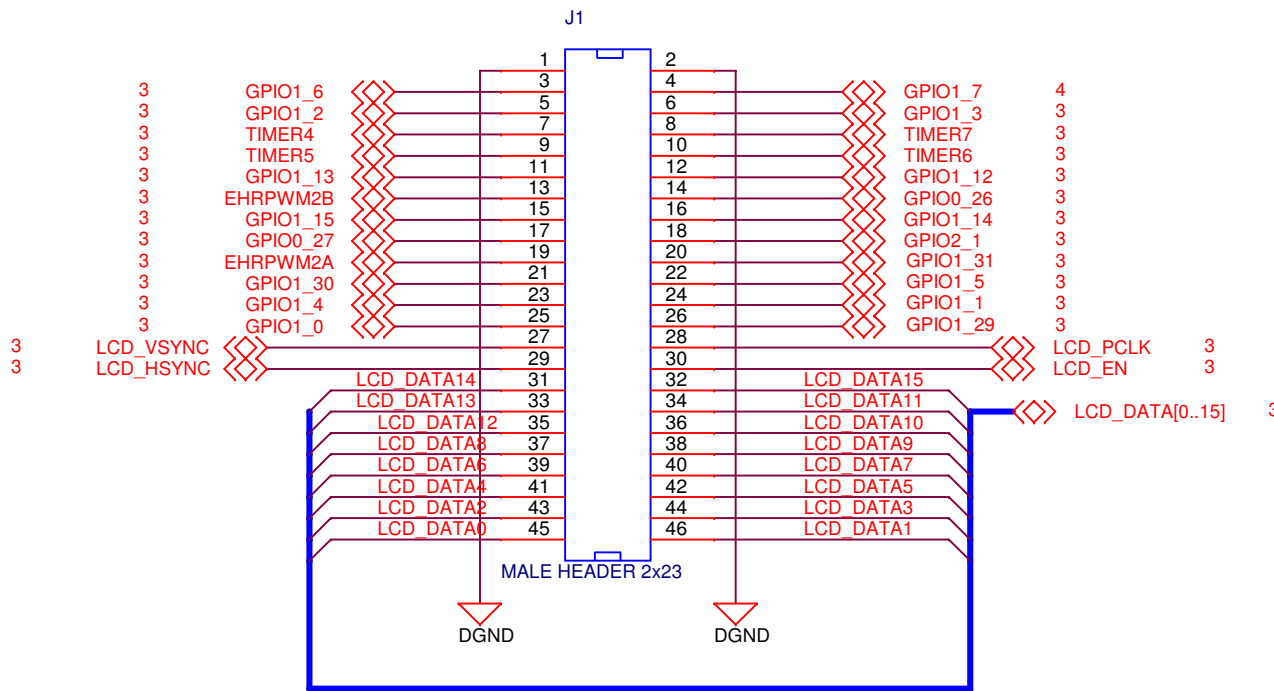
This work is licensed under the Creative Commons Attribution-Share Alike 3.0 Unported License. To view a copy of this license, visit <http://creativecommons.org/licenses/by-sa/3.0/> or send a letter to Creative Commons, 171 Second Street, Suite 300, San Francisco, California, 94105, USA.

All derivative works are to be attributed to CircuitCo LLC .

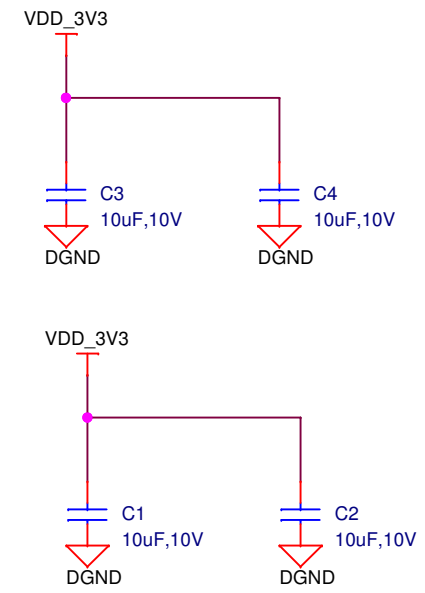
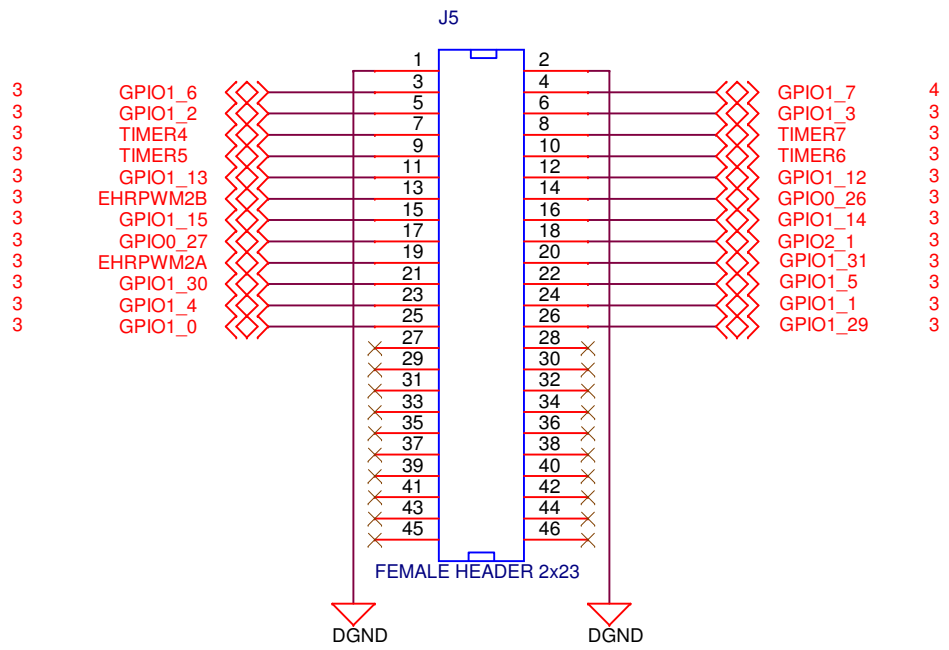
For more information, see http://creativecommons.org/license/results-one?license_code=by-sa

This work is licensed under the Creative Commons Attribution-Share Alike 3.0 Unported License. All derivative works are to be attributed to CircuitCo LLC. beagleboardtoys is owned by CircuitCo LLC.	 beagleboardtoys.com		1380 Presidential Dr. #100 Richardson, TX 75081 www.beagleboardtoys.com
	Title: BeagleBone LCD7 Cape COVER PAGE		
	Size: B	Document Number: BBT-BONE-LCD7-01	Rev: A3
	Date: Wednesday, August 01, 2012 Sheet 1 of 5		

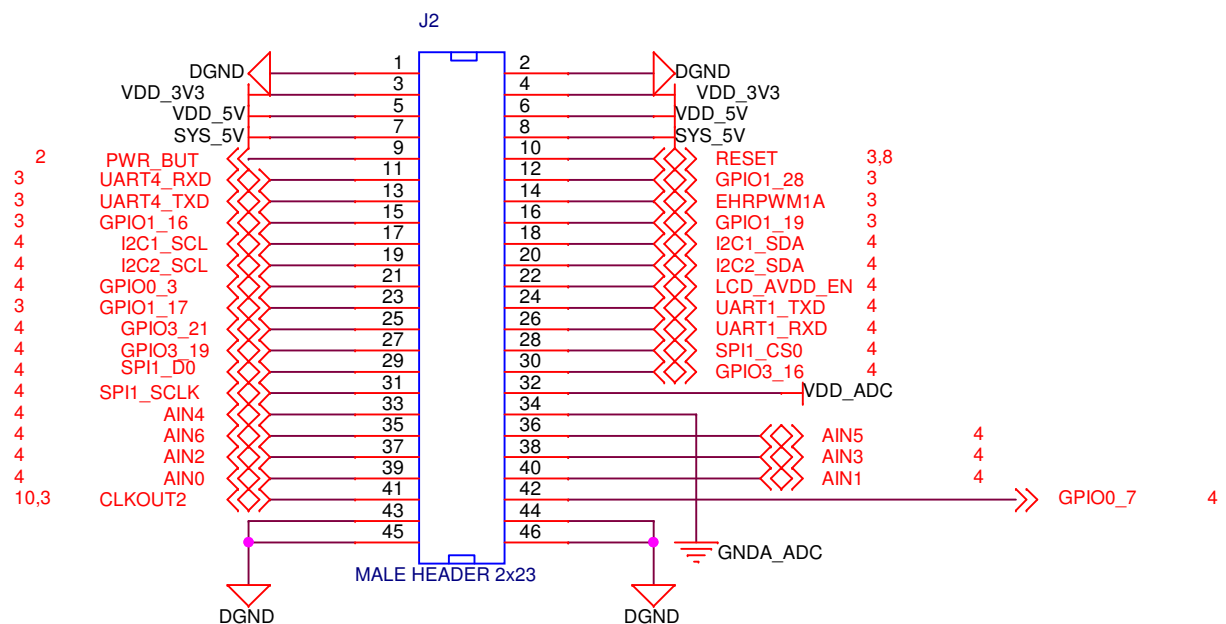
CONN A IN



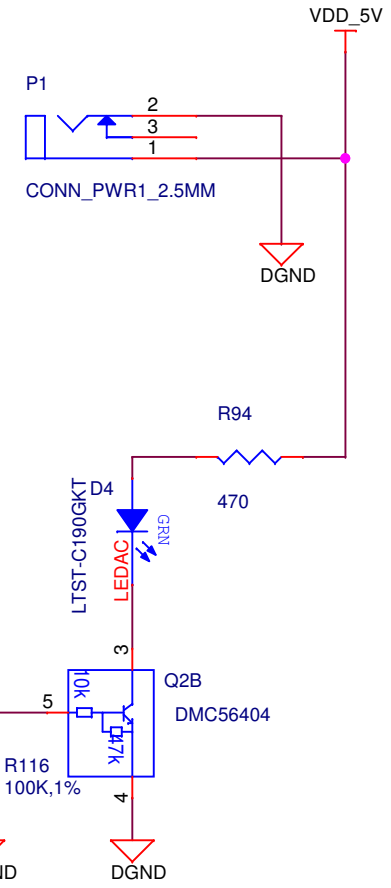
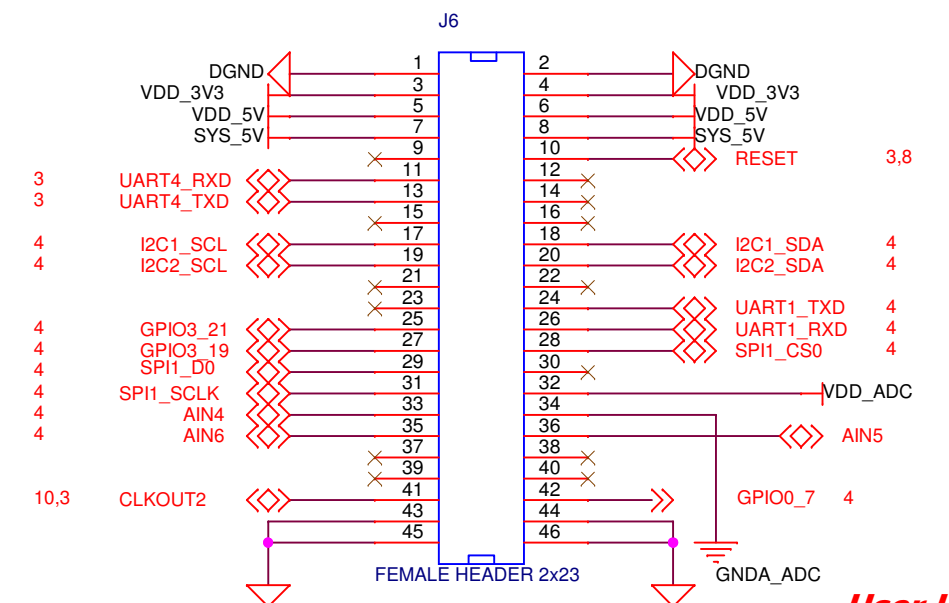
CONN A OUT



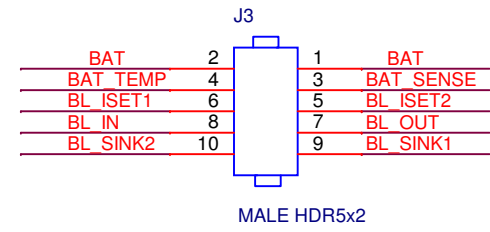
CONN B IN



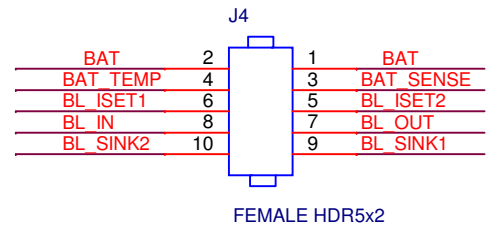
CONN B OUT



EXPANSION HEADERS



AUX_BL

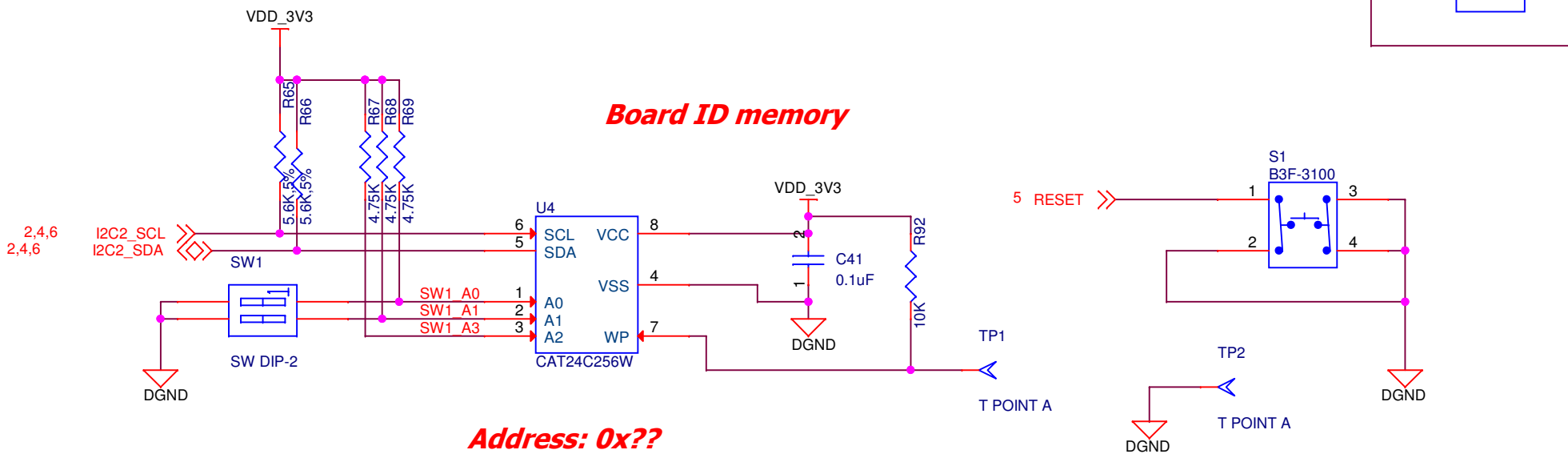
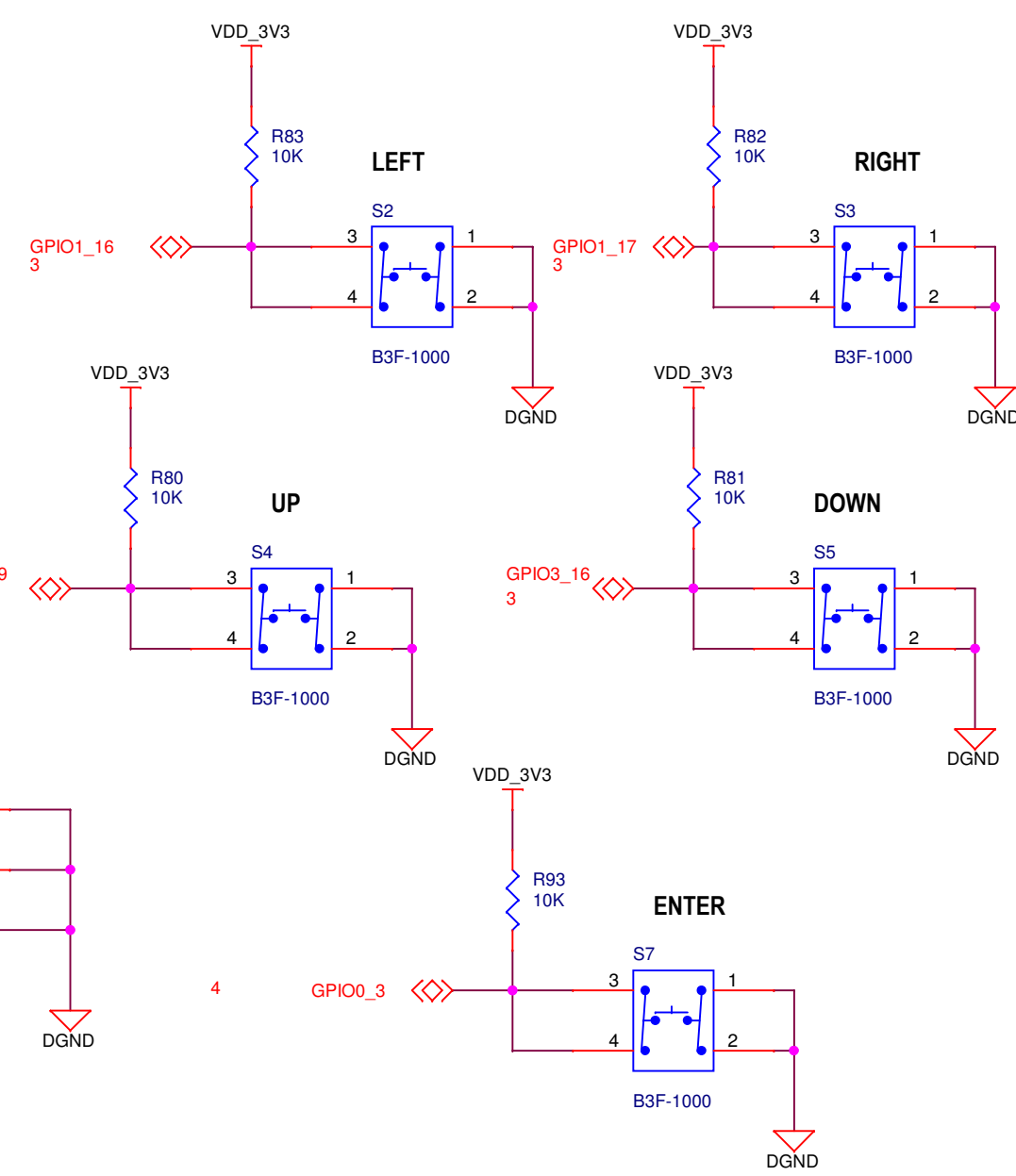
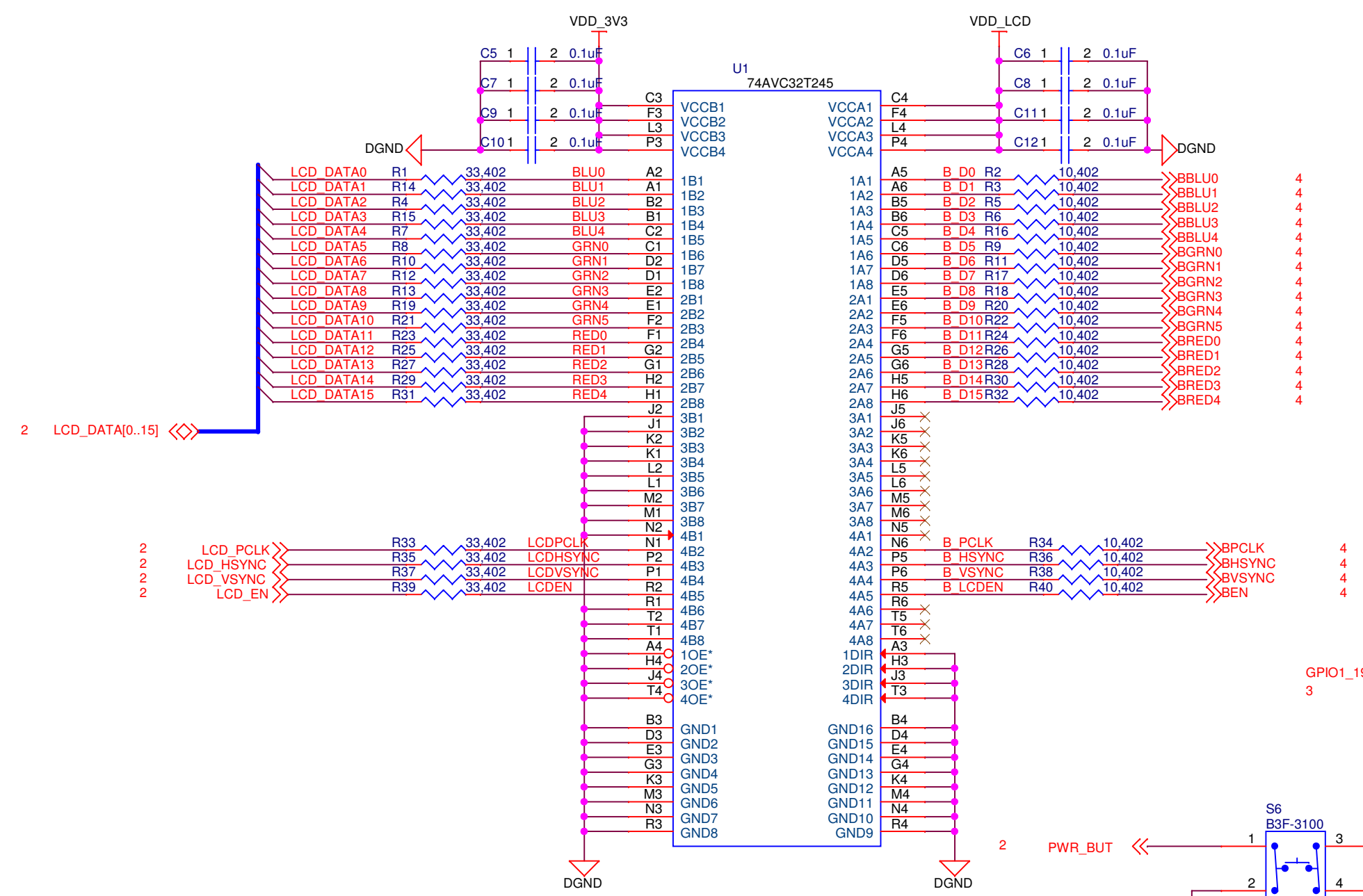


This work is licensed under the Creative Commons Attribution-Share Alike 3.0 Unported License. All derivative works are to be attributed to CircuitCo LLC.

beagleboardtoys is owned by CircuitCo LLC.

1380 Presidential Dr.
#100
Richardson, TX 75081
www.beagleboardtoys.com

Title: BeagleBone LCD7 Cape HOST CONNECTORS		
Size: B	Document Number: BBT-BONE-LCD7-01	Rev: A3
Date: Monday, July 02, 2012	Sheet: 2	of 5



Board ID memory

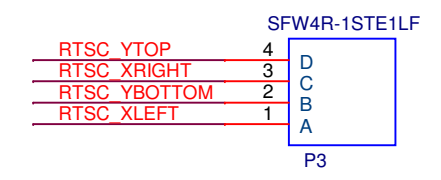
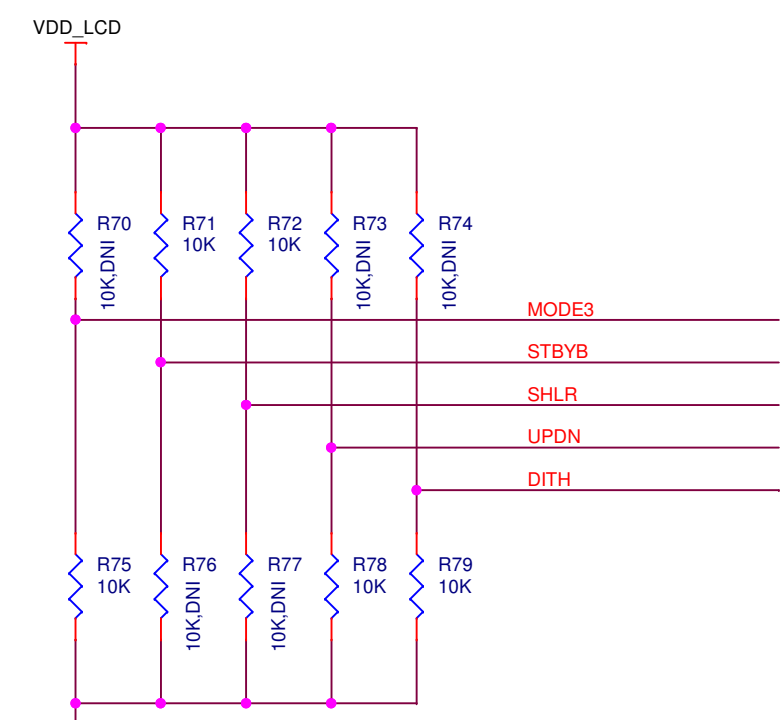
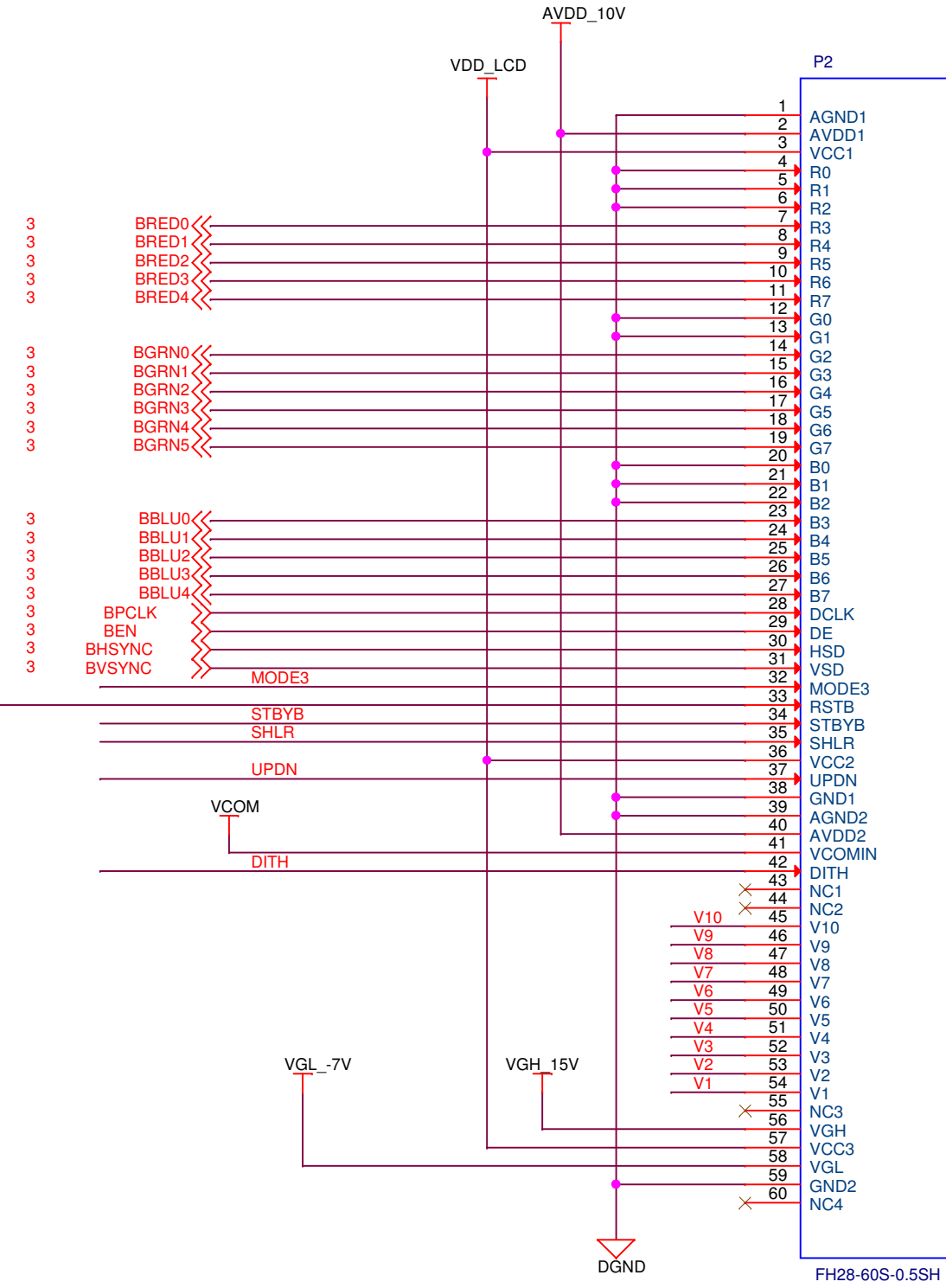
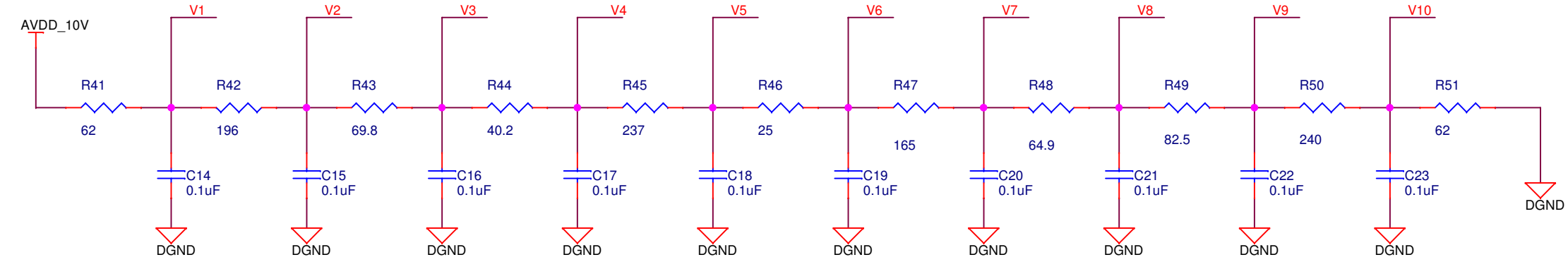
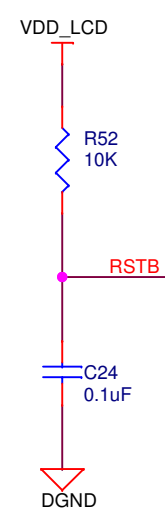
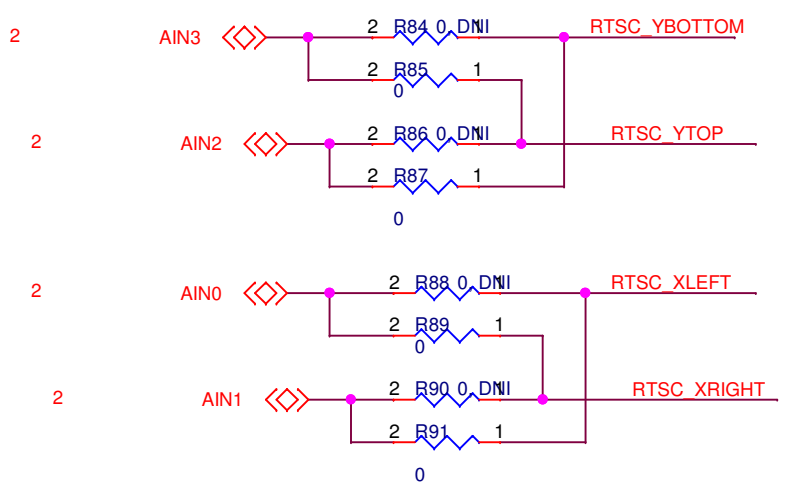
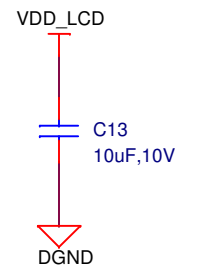
Address: 0x??

This work is licensed under the Creative Commons Attribution-Share Alike 3.0 Unported License. All derivative works are to be attributed to CircuitCo LLC.

1380 Presidential Dr.
#100
Richardson, TX 75081
www.beagleboardtoys.com

beagleboardtoys is owned by CircuitCo LLC.

Title BeagleBone LCD7 Cape BUFFER		
Size B	Document Number BBT-BONE-LCD7-01	Rev A3
Date:	Monday, July 02, 2012	Sheet 3 of 5



Gamma Circuit

This work is licensed under the Creative Commons Attribution-Share Alike 3.0 Unported License. All derivative works are to be attributed to CircuitCo LLC.
 beagleboardtoys is owned by CircuitCo LLC.



1380 Presidential Dr.
 #100
 Richardson, TX 75081
 www.beagleboardtoys.com

Title			BeagleBone LCD7 Cape LCD&TOUCH INTERFACE		
Size	Document Number			Rev	
B	BBT-BONE-LCD7-01			A3	
Date:	Monday, July 02, 2012	Sheet	4	of	5

