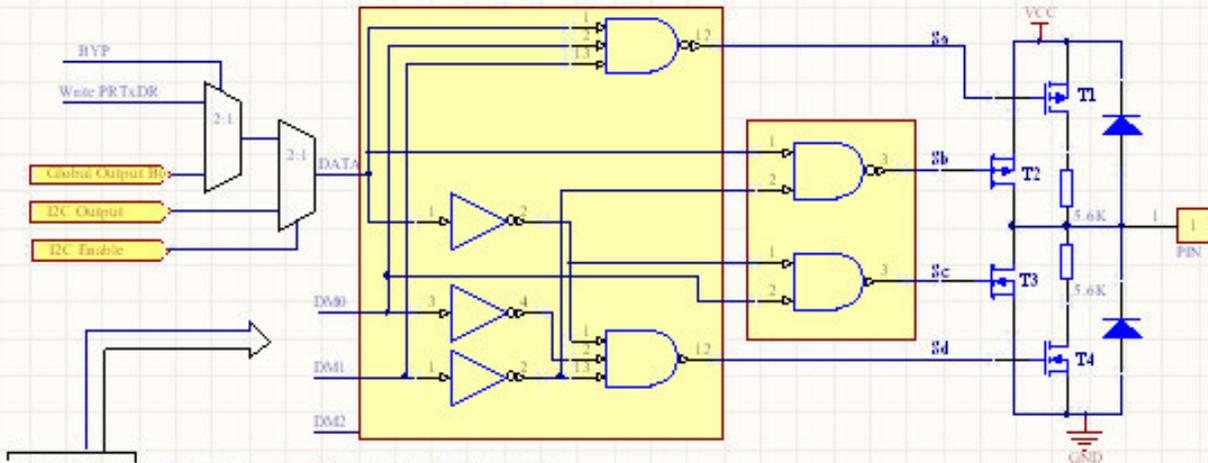


# Architecture des ports de sortie

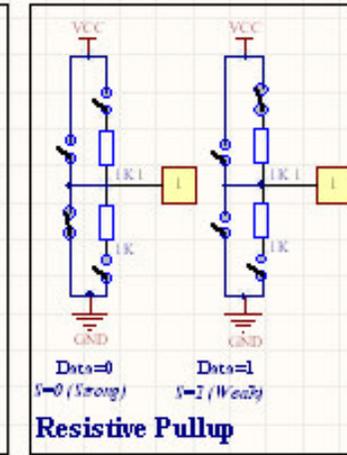
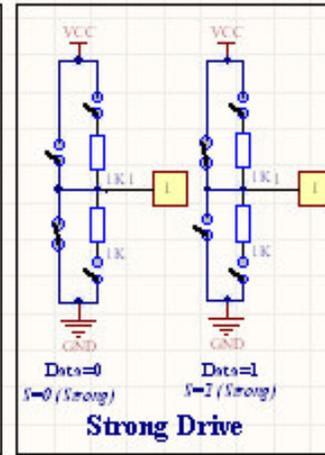
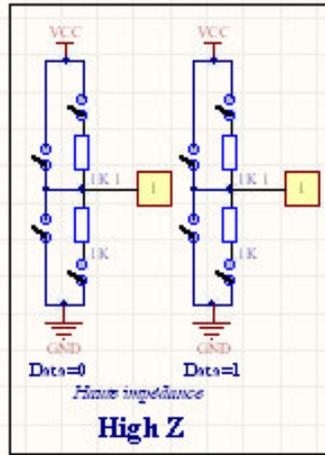
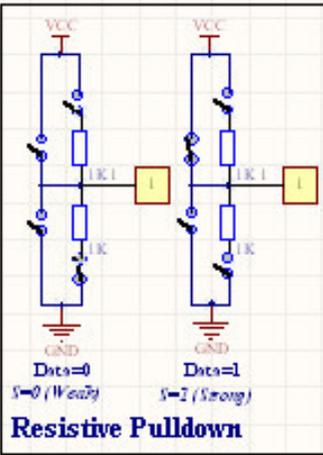


Pin configuration window for 'Anout-anal\_analogous':

TC0	TC0_0_0_0dEPH_HighZ_Analog_Disable
TC1	TC0_0_1_0dEPH_HighZ_Analog_Disable
TC2	TC0_0_1
TC3	FC1
TC4	Old P
TC5	HighZ_Analog
TC6	HighZ_Analog
TC7	Open Drain High
TC8	Open Drain Low
TC9	TC Down
TC10	TC Up
TC11	Strong
TC12	Strong Slow
TC13	TC0_1_0dEPH_HighZ_Analog_Disable

DC0	DC1	DC2	Drive Mode	Drive-0	Drive-1
0	0	0	Resistive Pull Down	Resistive	Strong
0	0	1	Strong Drive	Strong	Strong
0	1	0	High Impedance	Hi-Z	Hi-Z
0	1	1	Resistive Pull Up	Strong	Resistive
1	0	0	Open Drain, Drive High	Hi-Z	Strong (Slow)
1	0	1	Strong Strong Drive	Strong (Slow)	Strong (Slow)
1	1	0	High Impedance Analog	Hi-Z	Hi-Z
1	1	1	Open Drain, Drive Low	Strong (Slow)	Hi-Z

DC0	DC1	DC2	DC3	DC4	DC5	DC6	DC7	DC8	DC9	DC10	DC11	DC12	DC13	DC14	
0	0	0	1	1	1	0	1	Resistive	Resistive	Resistive	Resistive				Resistive Pull Down
0	1	0	1	1	1	0	0	Resistive	Resistive	Resistive	Resistive				High Z
0	1	1	0	1	1	0	0	Resistive	Resistive	Resistive	Resistive				Strong Drive
1	0	0	1	1	1	1	0	Resistive	Resistive	Resistive	Resistive				Resistive Pull Up
1	0	1	0	1	1	0	0	Resistive	Resistive	Resistive	Resistive				
1	1	0	1	1	1	1	0	Resistive	Resistive	Resistive	Resistive				
1	1	1	0	1	1	1	0	Resistive	Resistive	Resistive	Resistive				
1	1	1	0	0	1	1	0	Resistive	Resistive	Resistive	Resistive				



Title		
Size	Number	Revision
A4		
Date	27/11/2012	Sheet of
File	D:\Temp\maquette_sans_usb\Mode de	silicones